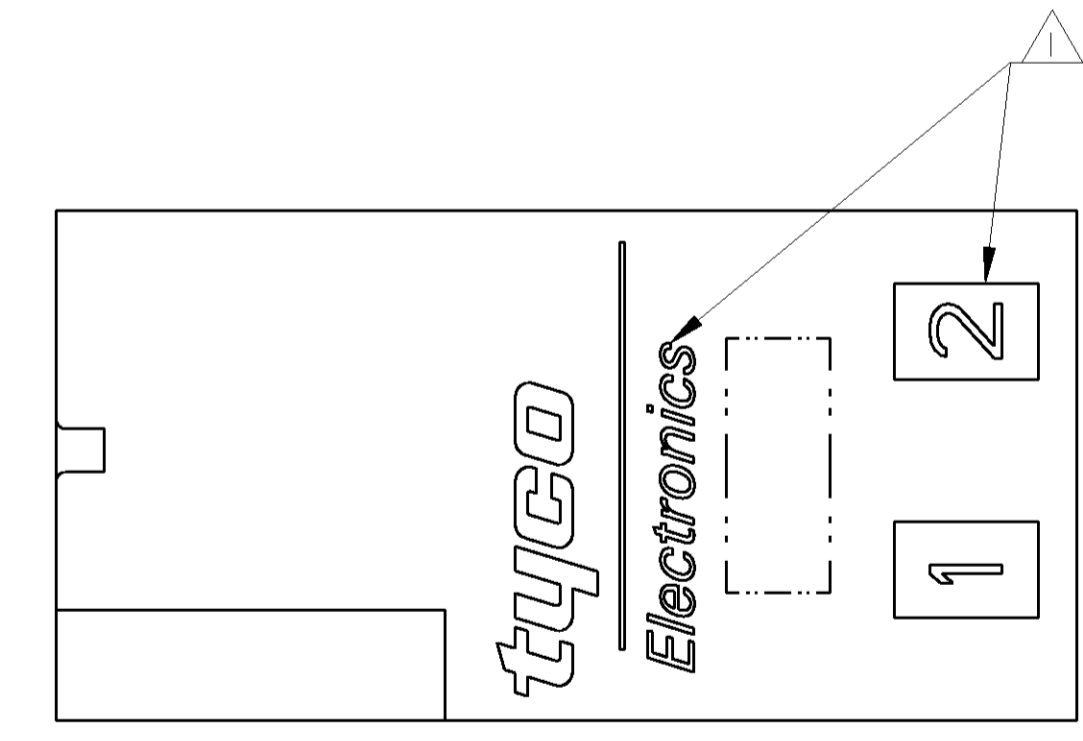
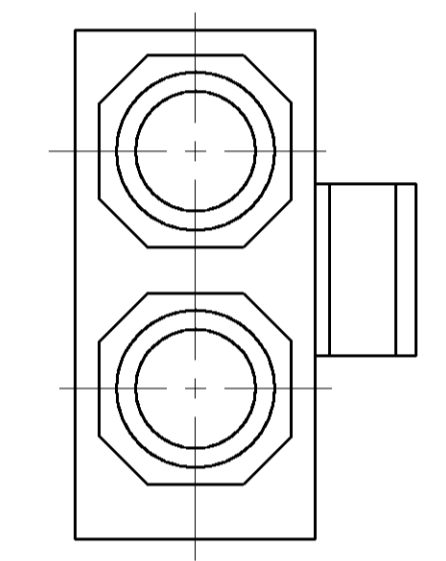
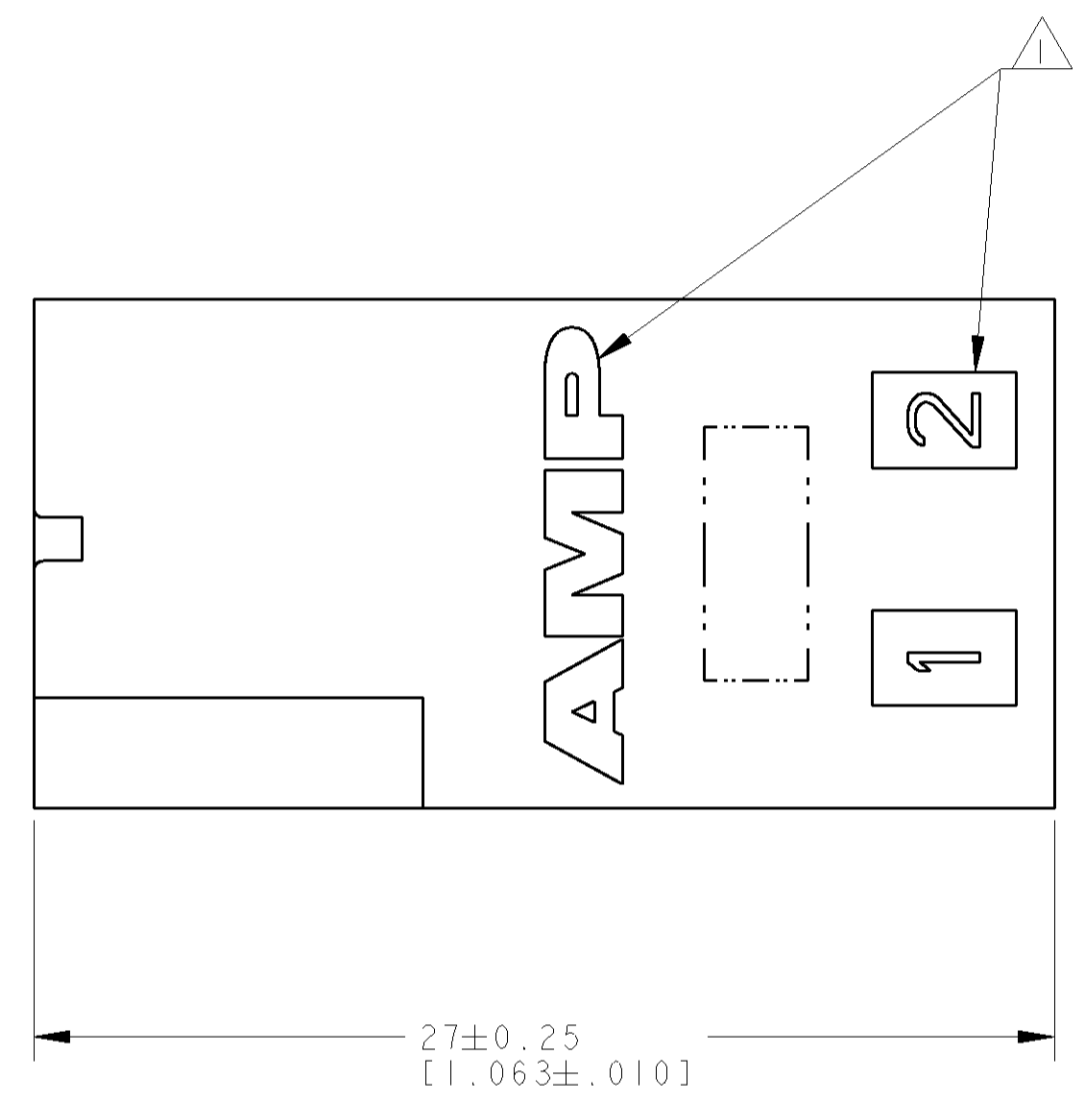
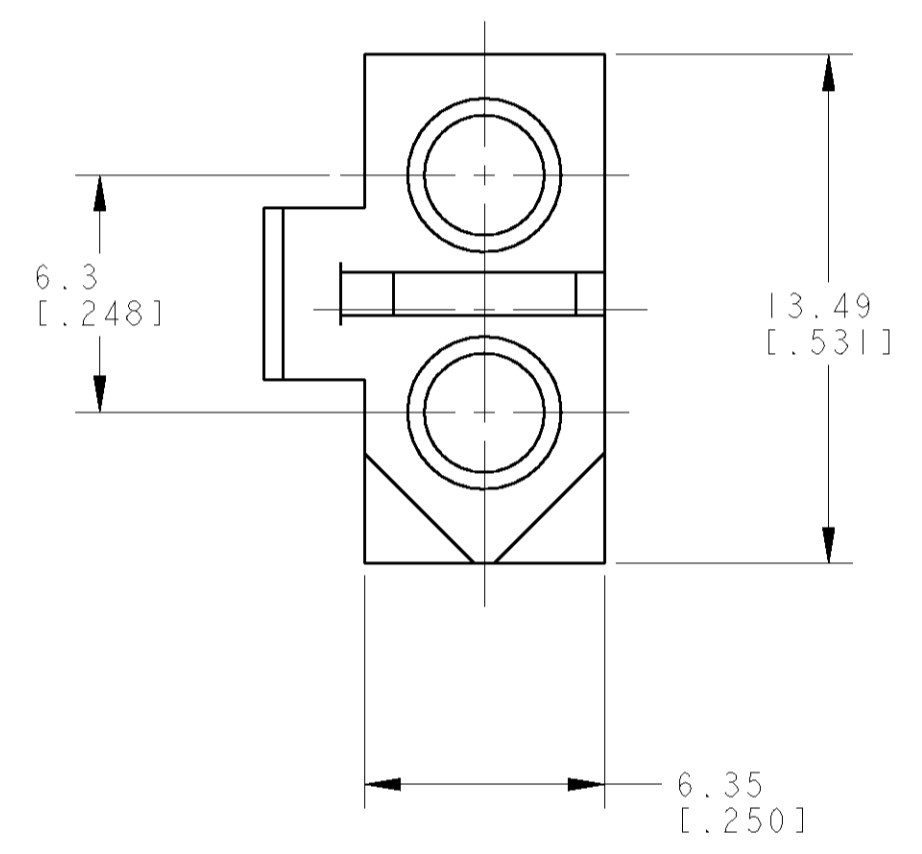
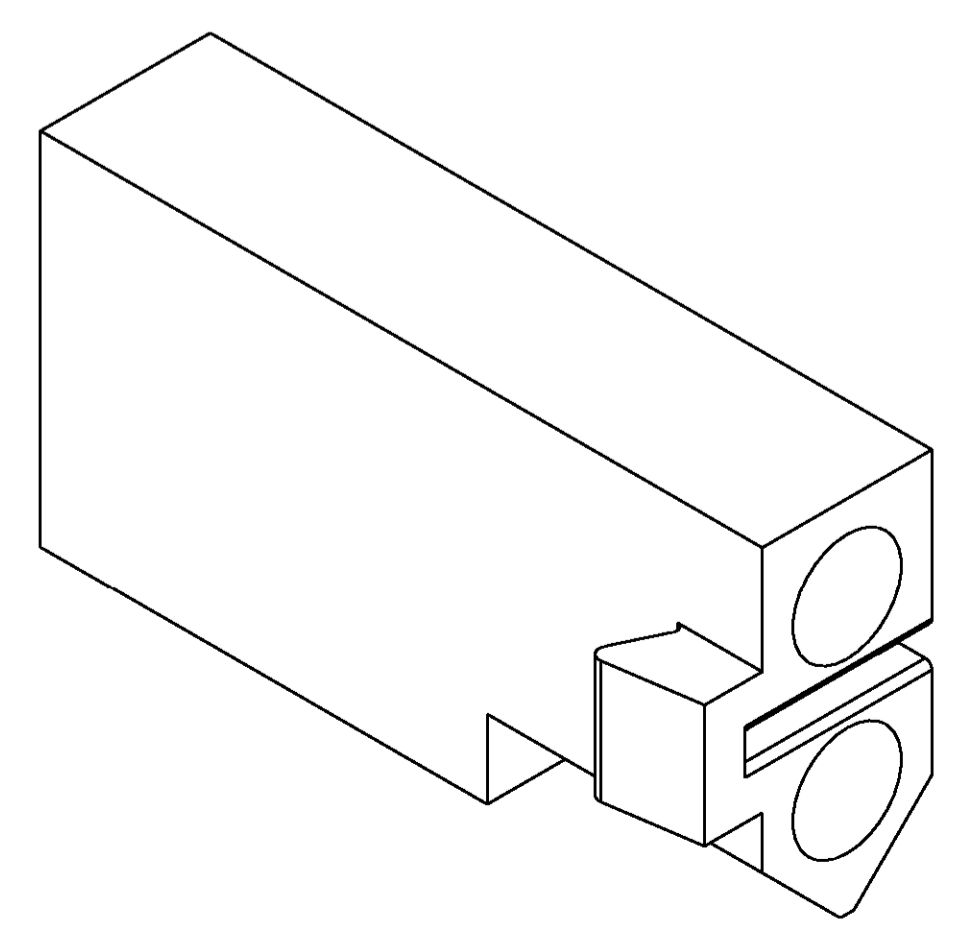


LOC		DIST		REVISIONS			
CM	00	P	LTR	DESCRIPTION	DATE	DWN	APVD
		C		REVISED PER 1027-04	09DEC04	KW	DC

△ AMP OR TYCO ELECTRONICS LOGO AND CIRCUIT NUMBERS LOCATED APPROXIMATELY AS SHOWN.



OPTIONAL CONSTRUCTION



METRIC

770424-1
PART NUMBER

<small>THE DIMENSIONS TO UNLESS OTHERWISE SPECIFIED ARE FOR THE RECEPTACLE ORGANIZATION. IT IS THE BUYER'S RESPONSIBILITY TO CONTACT THE ORGANIZATION FOR THE CORRECT POSITION.</small>		DWN B. WHITAKER 09DEC2004	Tyco Electronics Harrisburg, PA 17105-3608
DIMENSIONS: mm [INCHES]		CHK D. COLEY 09DEC2004	
TOLERANCES UNLESS OTHERWISE SPECIFIED: 0 PLC ± 1 PLC ± 2 PLC ±0.13 [.005] 3 PLC ± 4 PLC ± ANGLES ±		APVD D. COLEY 09DEC2004	NAME RECEPTACLE, POSITIVE LOCK, 2 CIRCUIT, .093 PIN AND SOCKET
MATERIAL: NYLON UL 94V-2, NATURAL		FINISH: -	RESTRICTED TO
WEIGHT: -		CUSTOMER DRAWING	SCALE 5:1 SHEET 1 OF 1 REV C